

Pressure Gauge Accessories

Aptek offers a wide range of pressure gauge accessories to suite the different instrumentation application.

Gauge Cocks :

This cocks are use with the pressure gauge for isolation and drain purpose.

Standard Specification :

Size : 1/4" to 1/2"

End Connections : NTP / BSPP / BSPT

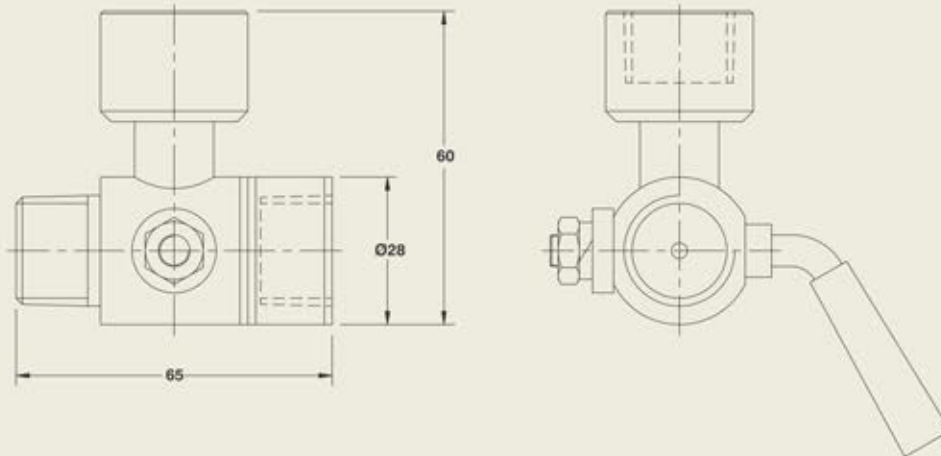
Material : 316 SS / 316L SS / 304 SS / Brass

Seal : PTFE

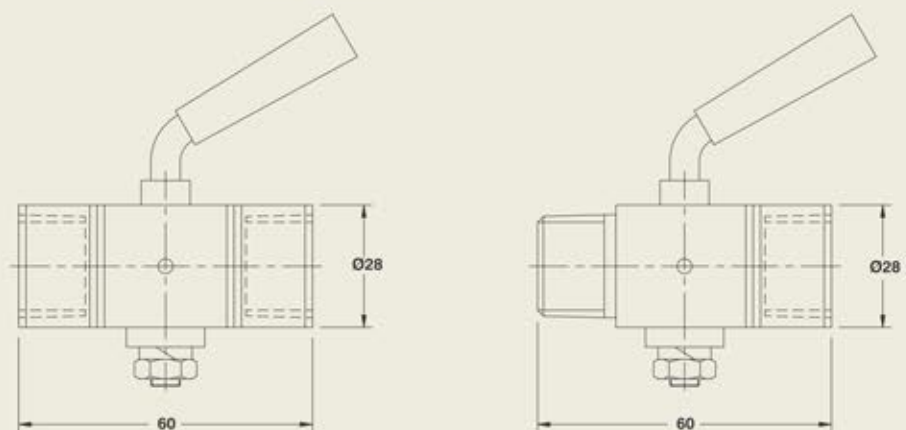
Maximum working pressure : 1500 PSI



Gauge Cock 3 Way



Gauge Cock 2 Way



Over Pressure Protectors

As the name indicates, this device saves instruments from the over pressure. Gauge savers close at a set point protects instruments from over load.



ISO 9001 : 2008 | PED 97/23/EC

Standard specification :

Model AOPP 1

Size: 1/2" NPT M x F

Material: 316 SS

Seal: Viton

Set pressure: 0.6 bar to 2 bars (in different ranges)

Maximum pressure: 400 BAR

(A OPP 2)



(A OPP 1)



Standard specification :

Model AOPP 2

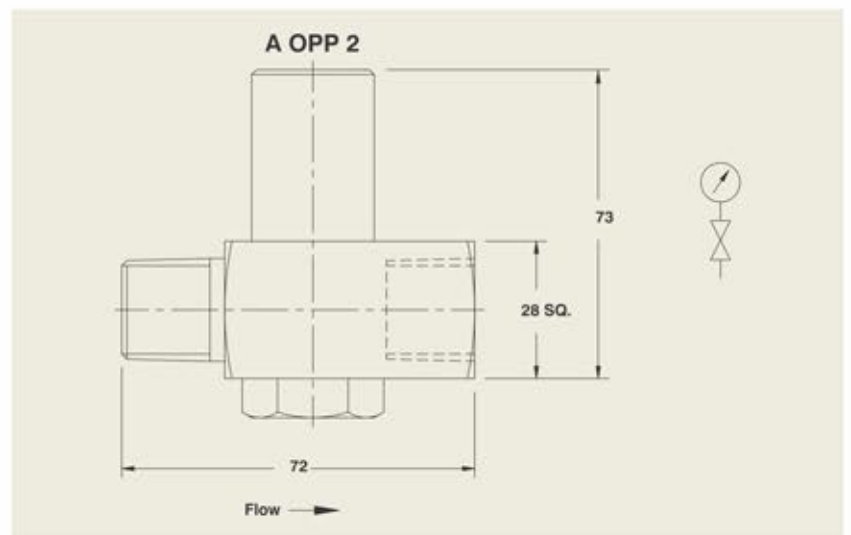
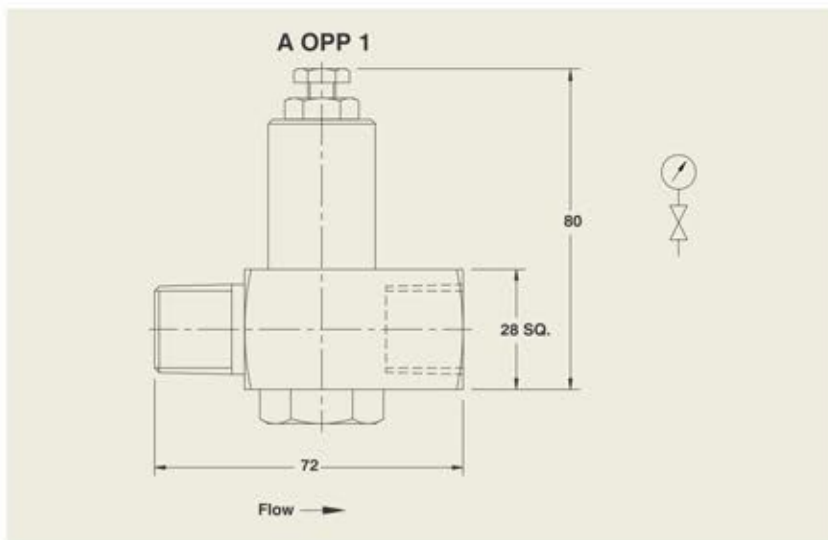
Size: 1/2" NPT M x F

Material: 316 SS

Seal: Viton

Set pressure: 2.5 bar to 300 bars (in different ranges)

Maximum pressure: 400 BAR

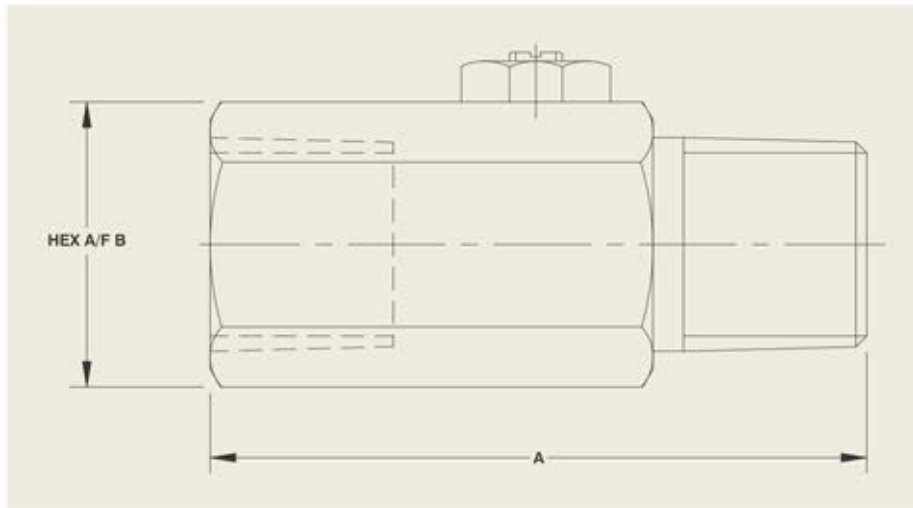


Pressure Gauge Snubbers

With the help of variable orifice, these gauge snubbers protect pressure gauges by reducing fluctuations.

Standard specification :

Size : 1/4" to 1/2" NPT / BSP
 End Connections : NTP / BSPP / BSPT
 Material : 316 SS / 316L SS / 304 SS/ Brass
 Seal : Viton
 Max temperature : 120° C
 Max pressure : 6000 PSI



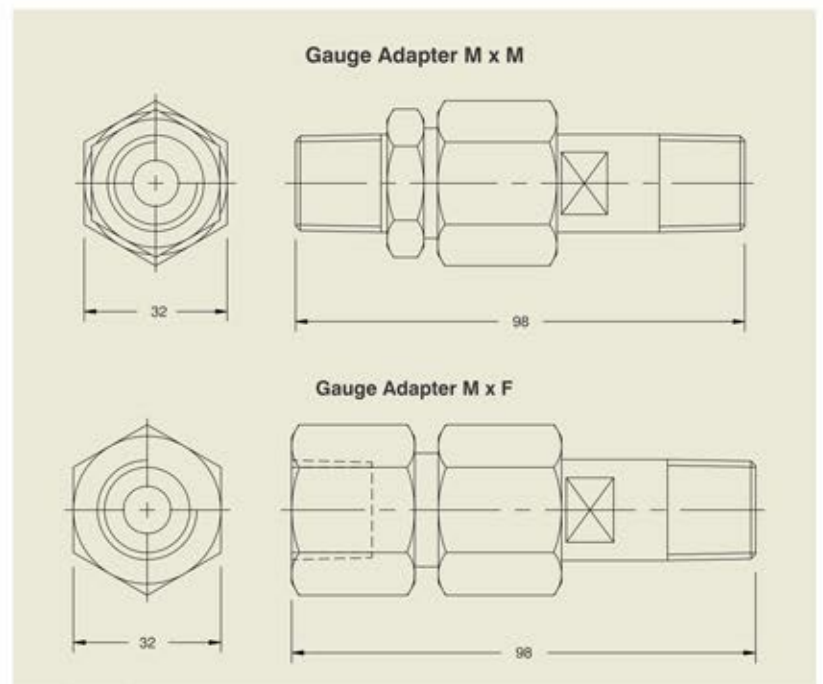
Pressure gauge snubbers

SIZE	A	B
1/4" NPT	55	25
3/8" NPT	55	25
1/2" NPT	63	28
G1/2"	63	28

Pressure Gauge Swivel Adapter

Standard specification :

Size : 1/2" NPT / BSPP / BSPT
 Material : 316 SS / 316 L SS / 304 SS
 Max Working pressure : 6000 PSI



Pressure Gauge Siphon

The siphon is used to protect the pressure gauges from the steam or high temperature fluid. Siphon reduces the temperature of the process fluid by dissipating the heat. It also helps to reduce the line surges fluctuations.



ISO 9001 : 2008 | PED 97/23/EC

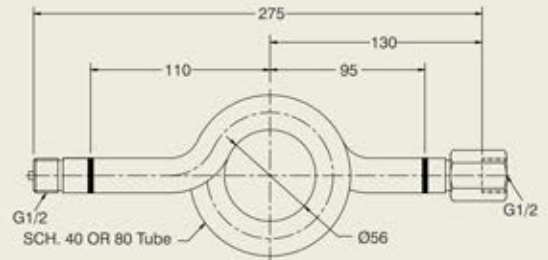
Standard specification :

Size : 1/4", 3/8", 1/2"

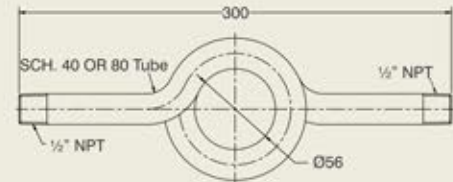
End Connections : NPT / BSPP / BSPT

Material : 316 SS, 304 SS, 316 L SS, CS

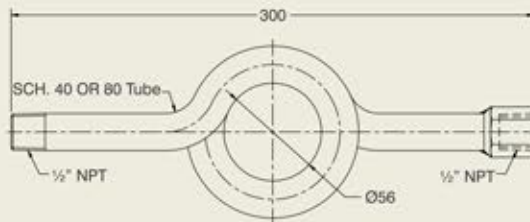
Coil Type Siphon



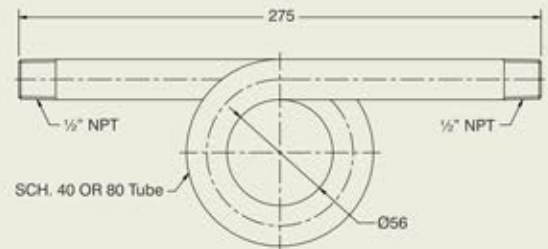
Coil Type Siphon DIN



Coil Type Siphon

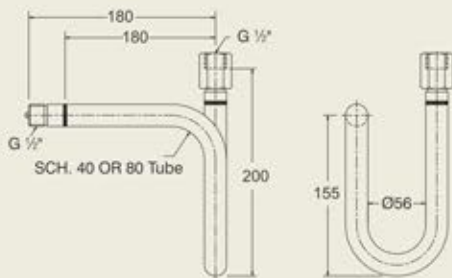


Coil Type Siphon M X F

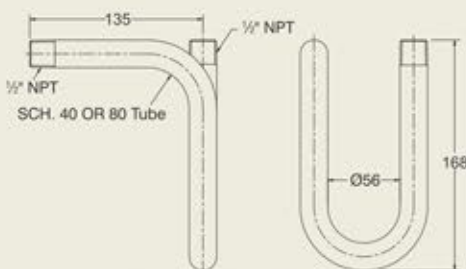


Pigtail Type Siphon

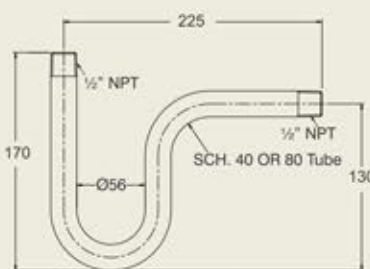
"U" Type Siphon



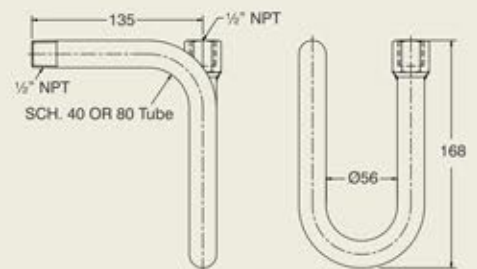
"U" Type Siphon DIN



"U" Type Siphon



Flat "U" Type Siphon



"U" Type Siphon MXF

With the help of variable orifice, these gauge snubbers protect pressure gauges by reducing fluctuations.

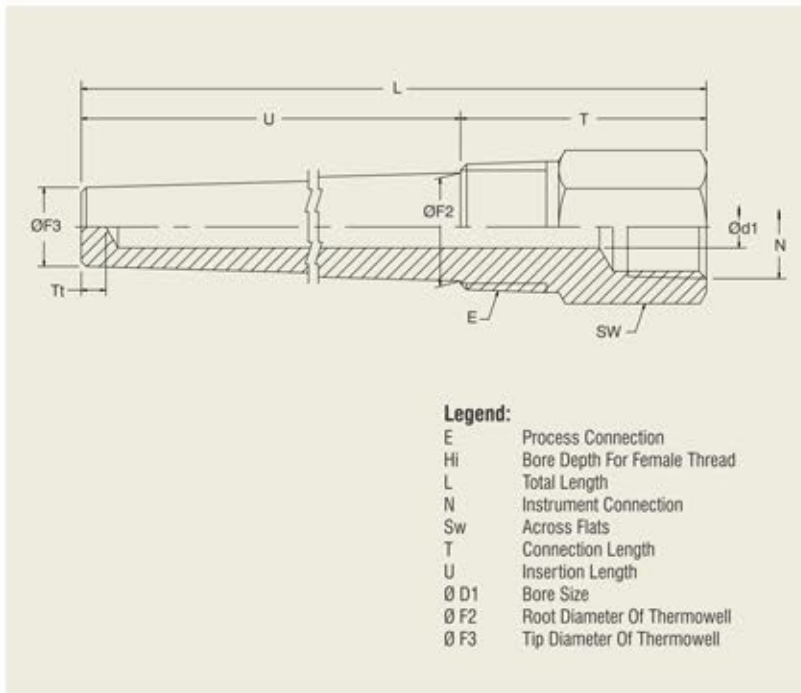
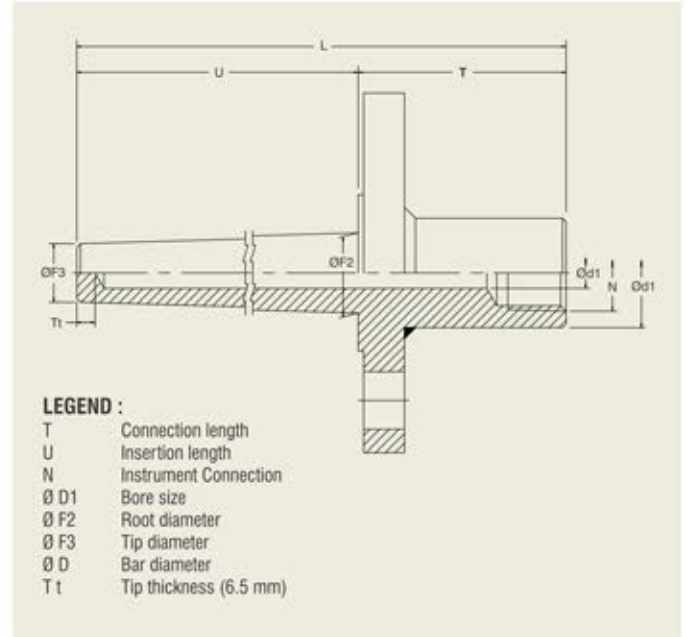
Material : 316 SS / 304 SS / 316L SS or any special material

Thermowell Flanged Bar Stock



Dimensions for ASME flanged thermowell, style tapered

Size	Pressure Class	T	Ø F2	Ø F3	Ø D1	Ø D
1"	150	2 ¼" (57 mm)	22	16	6.6 or 8.5	30
	300					
	600					
	1500					
1 ½"	150	2 ¼" (57 mm)	25	19	6.6 or 8.5	30
	300					
	600					
	1500					
2"	150	2 ¼" (57 mm)	25	19	6.6 or 8.5	30
	300					
	600					
	1500					
		3 ¼" (83 mm)				



Thermowell - Screwed Bar Stock



E	N	Ø D1	Ø F2	Ø F3	Hi	T	SW
1/2" NPT	1/2" NPT	6.6	16	13	19	1 ¼" OR 50 MM	27
		8.5					
6.6		22	16				
8.5							
1" NPT	6.6	27	19				
	8.5						