

Gauge Valves

These valves are designed for safe installations of Pressure gauges. The suitable model can be selected for isolation, calibration or drain purpose. The bleed screw, vent plug & multiport options are to choose from.

AGV 1 Gauge Bleed Valve

Standard Specifications :

Maximum working pressure : 413 bar / 6000 PSI at 100° C
(see pressure temperature chart on Page No. 4 for higher temperature applications)

Material : 316 SS / 316L SS / 304 SS / Carbon steel

MOC in accordance with NACE MR0175 is available on request

Monel, Inconel, Hastelloy, Duplex steel are also available on request.

Gland packing : PTFE / Graphite

End connections : 1/2" NPT / G 1/2 / 1/2" BSPT

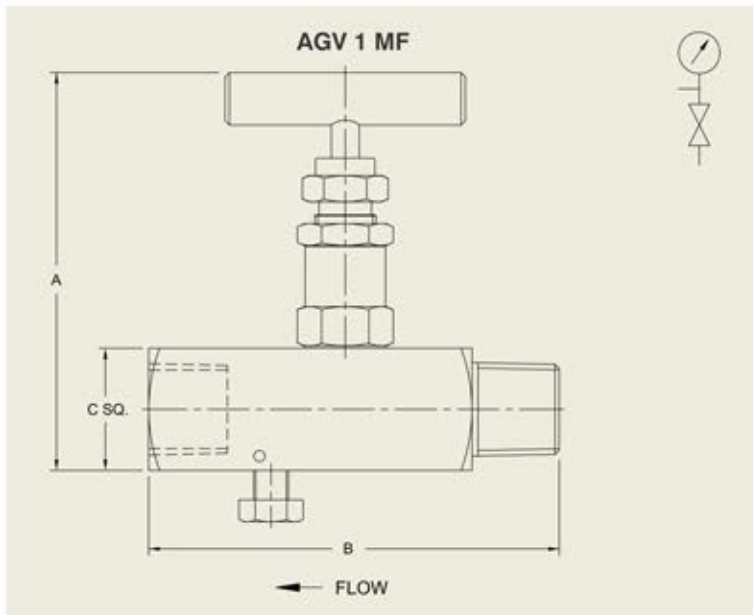
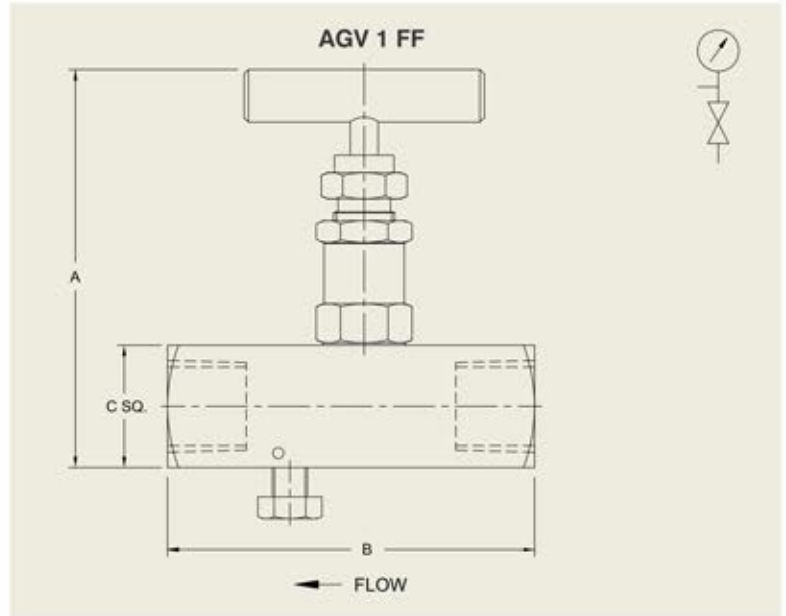
Valves for 10000 PSI working pressure are also available

Weight : 0.530 kg

(AGV 1 FF)



SIZE	A	B	B SQ.	WEIGHT
1/4"	93	70	25	0.43
3/8"	93	70	25	0.43
1/2"	93	80	28	0.53



Weight : 0.60 kg

(AGV 1 MF)



SIZE	A	B	B SQ.	WEIGHT
1/4"	93	75	25	0.50
3/8"	93	75	25	0.50
1/2"	93	94	28	0.60

AGV 2 Gauge Vent Valve



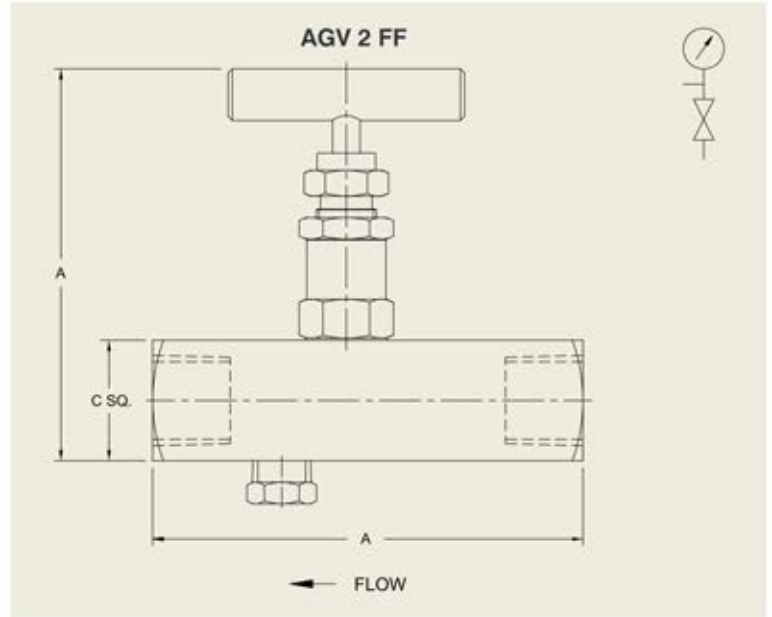
ISO 9001 : 2008 | PED 97/23/EC

Standard Specifications :

Maximum working pressure : 413 bar / 6000 PSI at 100° C
 (see pressure temperature chart on Page No. 4 for higher temperature applications)
 Material : 316 SS / 316L SS / 304 SS / Carbon steel
 MOC in accordance with NACE MR0175 is available on request
 Monel, Inconel, Hastelloy, Duplex steel are also available on request.
 Gland packing : PTFE / Graphite
 End connections : 1/2" NPT / G 1/2 / 1/2" BSPT
Valves for 10000 PSI working pressure are also available

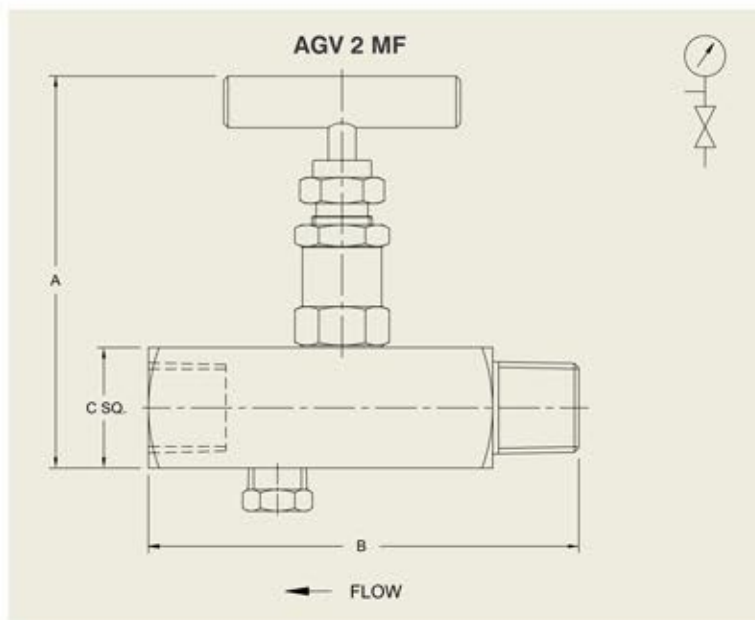
Weight : 0.55 kg

(AGV 2 FF)



SIZE	A	B	B SQ.	WEIGHT
1/4"	93	80	25	0.45
3/8"	93	80	25	0.45
1/2"	95	90	28	0.55

(AGV 2 MF)



Weight : 0.60 kg



SIZE	A	B	B SQ.	WEIGHT
1/4"	93	80	25	0.50
3/8"	93	80	25	0.50
1/2"	95	100	28	0.60

AGV 3 Multiport Gauge Valves

Multiport or gauge root valves facilitate different positioning of Pressure gauge or Pressure switch without disturbing the main line. The blind plug & the vent plug are supplied with the valve.

Standard Specifications :

Maximum working pressure : 413 bar/6000 PSI at 100° C

(see pressure temperature chart on Page No. 4 for higher temperature applications)

Material : 316 SS / 316L SS / 304 SS / Carbon steel

MOC in accordance with NACE MR0175 is available on request.

Monel, Inconel, Hastelloy, Duplex steel are also available on request.

Gland packing : PTFE / Graphite

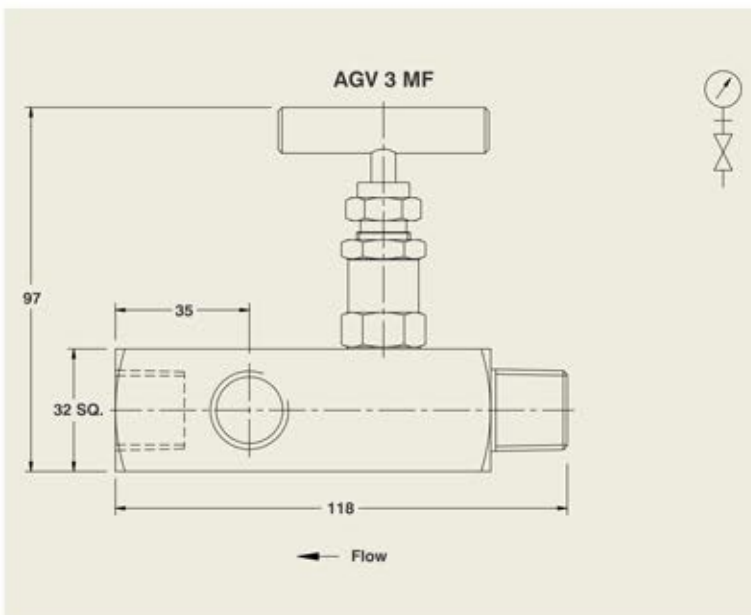
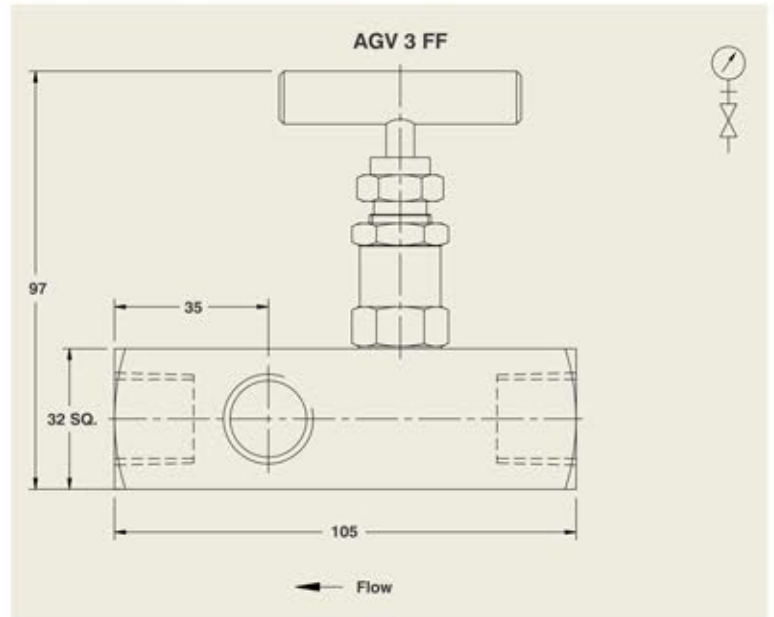
Inlet : 1/2" or 3/4" NPT male or 1/2" NPT Female

Outlet : 1/2" NPT F x 3

Valves for 10000 PSI working pressure are also available

Weight : 0.95 kg

(AGV 3 FF)



Weight : 1.00 kg

(AGV 3 MF)



AGV 4 Forged Body Gauge Valve

These valves are specially designed in accordance with DIN 16270. The body is forged in union bonnet pattern. The G 1/2 connection provides swivel female outlet for suitable positioning of Pressure gauge. Bleed screw is provided for Vent.



ISO 9001 : 2008 | PED 97/23/EC

Standard Specifications :

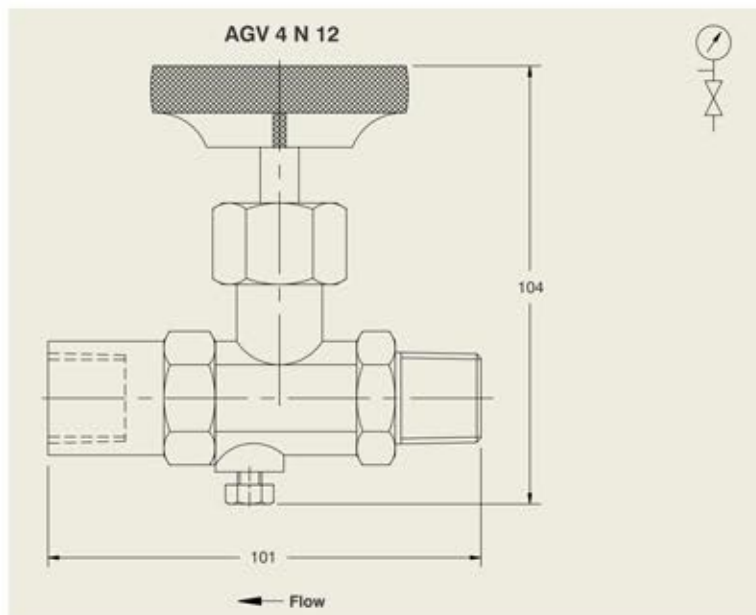
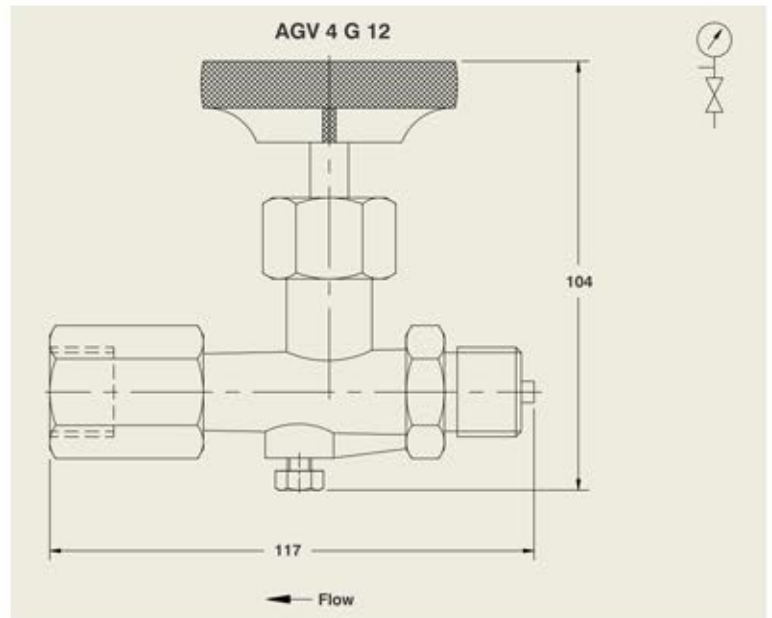
Maximum working pressure : 413 bar / 6000 PSI at 100° C
(see pressure temperature chart on Page No. 4 for higher temperature applications)

Material : 316 SS / 316L SS / 304 SS / Carbon steel / Brass

Gland packing : PTFE / Graphite

Weight : 0.50 kg

(AGV 4 G 12)



Weight : 0.50 kg

(AGV 4 N 12)

