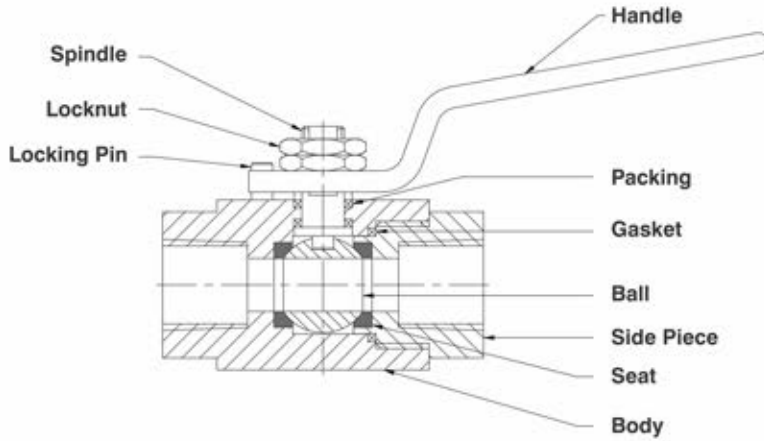


Aptek offers 2 types of ball valves for low pressure & high pressure applications

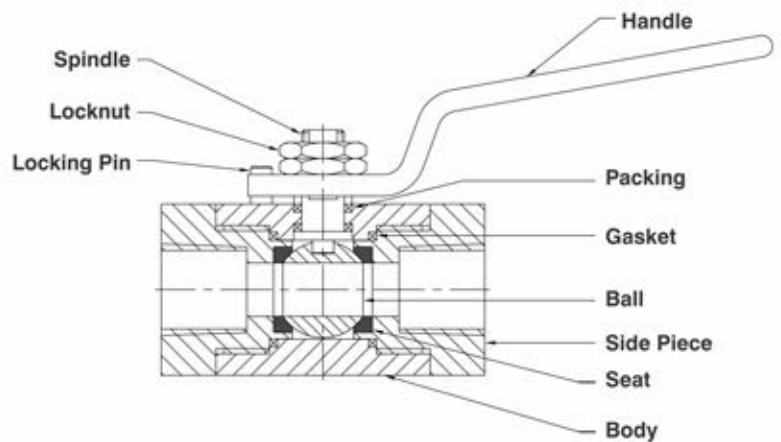
Low Pressure Ball Valve

(ABV 1)

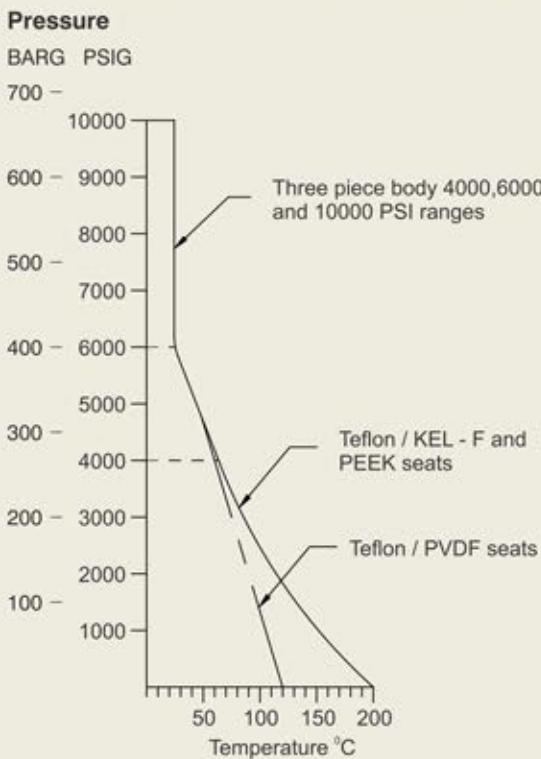


High Pressure Ball Valve

(ABV 2)



Pressure VS Temperature Graph for Ball Valves



Low Pressure Ball Valve

This valves are safe, reliable & economical option for low pressure application

(ABV 1)

Standard Specifications :

Size : 1/4" to 1"

End connections : Screwed (NPT / BSPP / BSPT), Socket weld,

Compression tube fitting ends

Material : CS, 316 SS, 304 SS, 316 L SS

Special materials are also available on request

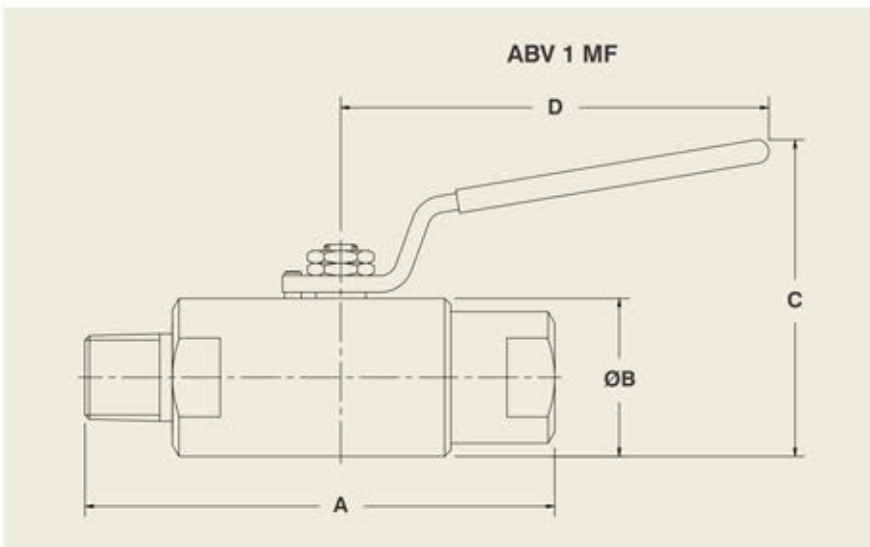
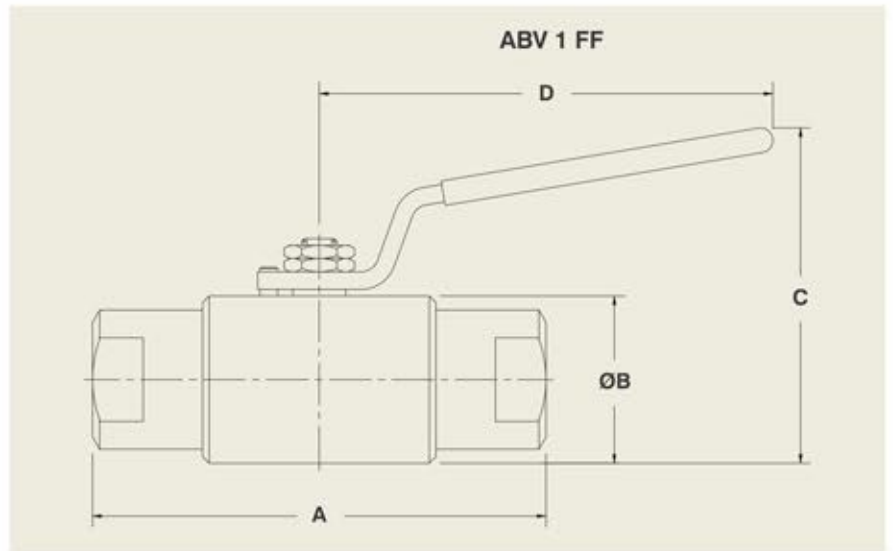
Maximum working pressure : 2000 PSI at 100° C

See pressure temperature chart for high temperature applications



(ABV 1 FF)

SIZE	A	ØB	C	D(kg.)	WEIGHT
1/4"	60	28	45	85	0.30
3/8"	65	32	50	85	0.40
1/2"	75	38	65	120	0.50
3/4"	85	42	75	135	0.75
1"	95	50	85	135	0.90

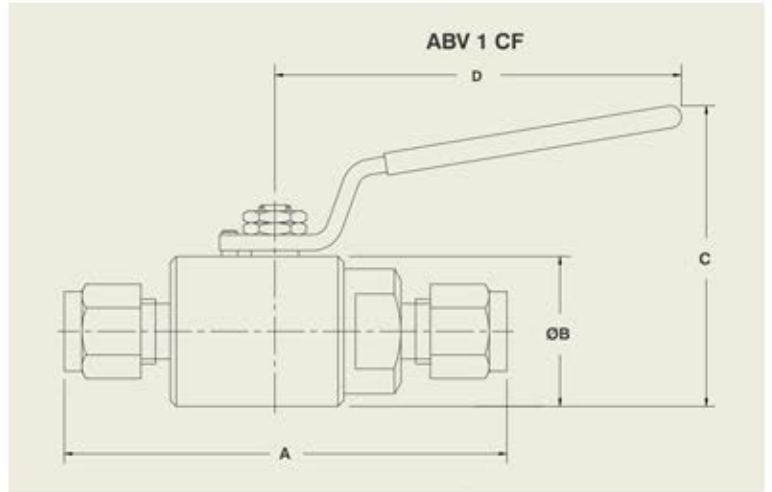


(ABV 1 MF)

SIZE	A	ØB	C	D(kg.)	WEIGHT
1/4"	70	28	45	85	0.30
3/8"	75	32	50	85	0.40
1/2"	85	38	65	120	0.50
3/4"	95	42	75	135	0.75
1"	105	50	85	135	0.90


(ABV 1 CF)

SIZE	A	ØB	C	D(kg.)	WEIGHT
1/4"	60	28	45	85	0.30
3/8"	65	32	50	85	0.40
1/2"	75	38	65	120	0.50
3/4"	85	42	75	135	0.75
1"	95	50	85	135	0.90



High Pressure Ball Valves

This range offers reliable option for the high pressure application. These valves are recommended for the use in Oil, Gas, Petrochemicals where the long life is required.

(ABV 2)

Standard Specifications :

Size : 1/4" to 1"

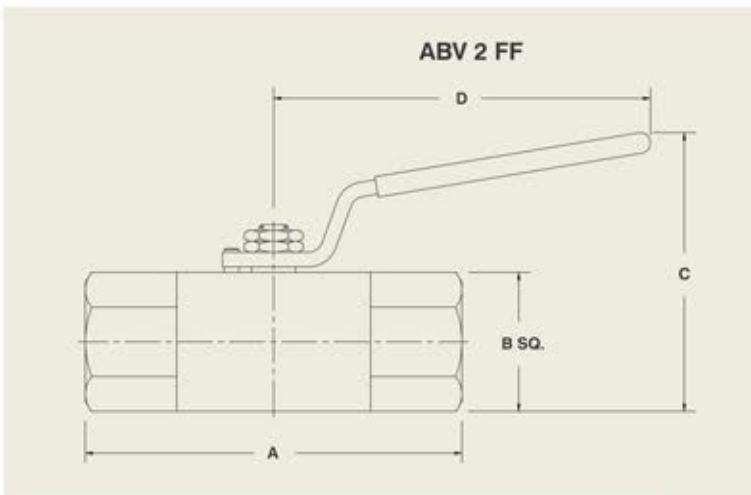
End connections : Screwed (NPT / BSPP / BSPT)

Material : CS, 316 SS, 304 SS, 316 L SS

Special materials are also available on request

Maximum working pressure : 6000 PSI at 100° C

See pressure temperature chart for high temperature applications


(ABV 2 FF)


SIZE	A	B SQ.	C	D	WEIGHT
1/4"	60	28	63	84	0.4
3/8"	60	32	63	84	0.4
1/2"	103	38	76	103	1.2
3/4"	123	50	89	103	2.0
1"	123	50	89	103	1.9

(ABV 2 MF)

SIZE	A	B SQ.	C	D	WEIGHT
1/4"	75	32	63	84	0.4
3/8"	76	32	63	84	0.4
1/2"	114	38	76	103	1.2
3/4"	141	50	89	103	2.0
1"	144	50	89	103	1.9

