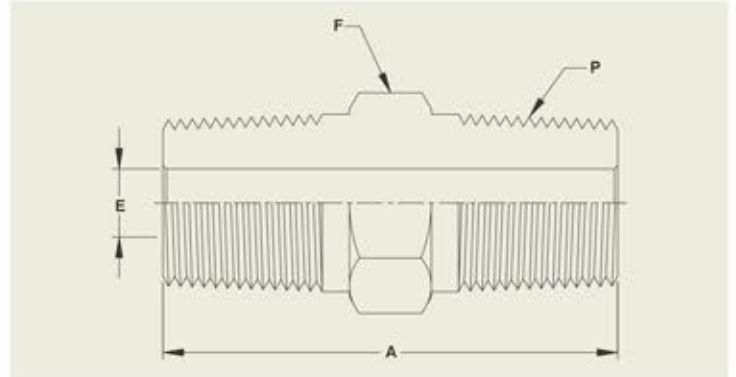


Instrumentation Pipe Fittings

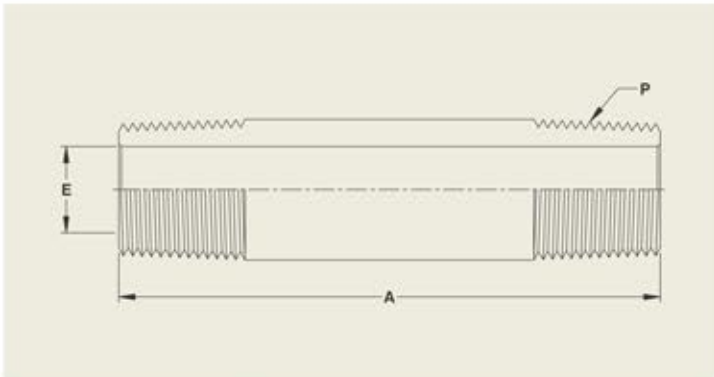
Hex Nipple



PART NO.	PIPE SIZE		DIMENSIONS		
	P	A	E	F	
HN-16	1/16	25.7	3	10	
HN-18	1/8	25.7	4.8	11	
HN-14	1/4	35.6	7.1	14	
HN-38	3/8	36.3	9.6	17	
HN-12	1/2	46.7	11.9	22	
HN-34	3/4	46.7	15.8	28	
HN-01	1	58.9	22.4	36	



Long Pipe Nipple

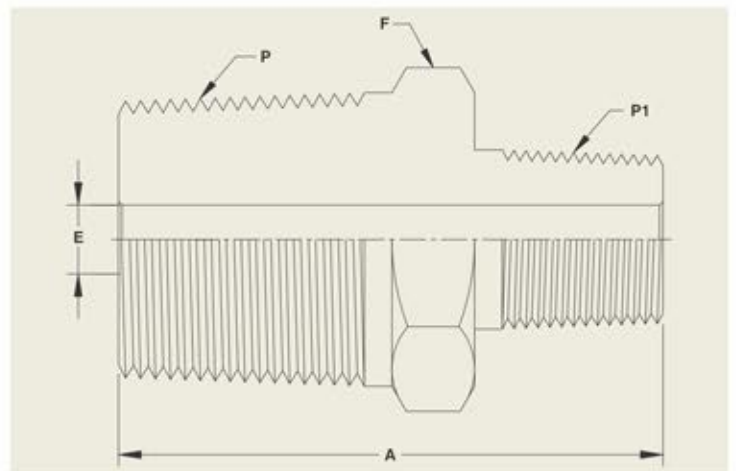


PART NO.	PIPE SIZE		DIMENSIONS				E	
	P		1.5	2	2.5	3		4
LPN-18	1/8		1.5	2	2.5	3	4	6.80
LPN-14	1/4		1.5	2	2.5	3	4	9.24
LPN-38	3/8		1.5	2	2.5	3	4	12.52
LPN-12	1/2		1.5	2	2.5	3	4	15.80
LPN-34	3/4		1.5	2	2.5	3	4	20.43
LPN-01	1	-	2	2.5	3	4		26.65

Hex Reducing Nipple



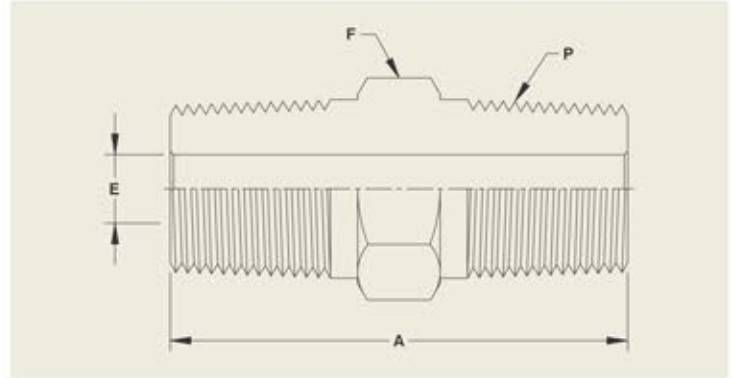
PART NO.	PIPE SIZE		DIMENSIONS		
	P	P1	A	E	F
HRN-1816	1/8	1/16	25.7	3.0	11
HRN-1418	1/4	1/8	31.0	4.8	12
HRN-3818	3/8	1/8	31.8	4.8	17
HRN-3814	3/8	1/4	36.3	7.1	17
HRN-1218	1/2	1/8	37.3	4.8	22
HRN-1214	1/2	1/4	41.9	7.1	22
HRN-1238	1/2	3/8	41.9	9.6	22
HRN-3814	3/4	1/4	41.9	7.1	28
HRN-3412	3/4	1/2	46.7	11.9	28
HRN-0112	1	1/2	54.1	11.9	36
HRN-0134	1	3/4	54.1	15.8	36



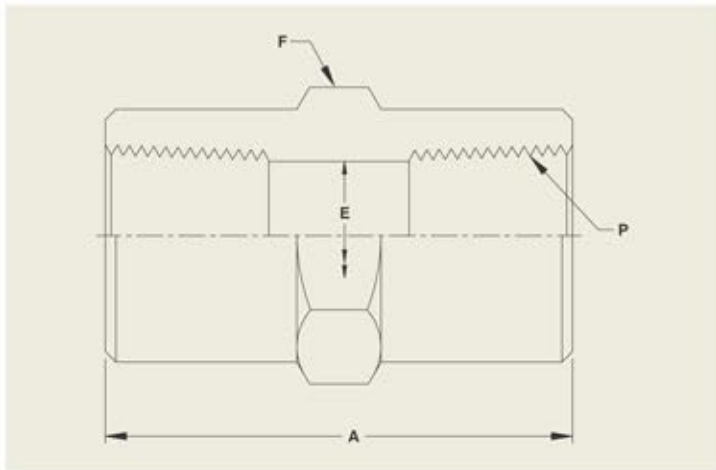
Close Nipple



PART NO.	PIPE SIZE		DIMENSIONS		
	P	A	E	F	
CN-18	1/8	19.00	4.8	11	
CN-14	1/4	28.40	7.1	14	
CN-38	3/8	28.40	9.6	17	
CN-12	1/2	38.10	11.9	22	
CN-34	3/4	38.10	15.8	28	
CN-01	1	47.70	22.4	36	



Coupling

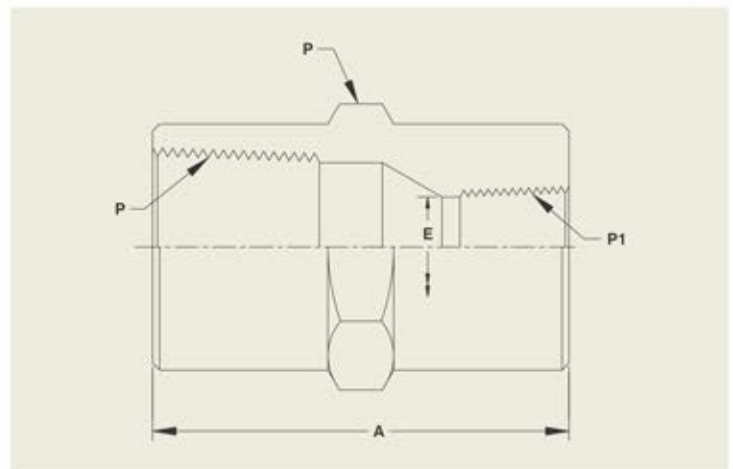


PART NO.	PIPE SIZE		DIMENSIONS		
	P	A	E	F	
CO-18	1/8	20.6	8.6	14	
CO-14	1/4	30.2	11.41	19	
CO-38	3/8	33.3	15.0	22	
CO-12	1/2	39.6	18.5	28	
CO-34	3/4	41.1	23.9	36	
CO-01	1	50.8	29.7	42	

Reducing Coupling



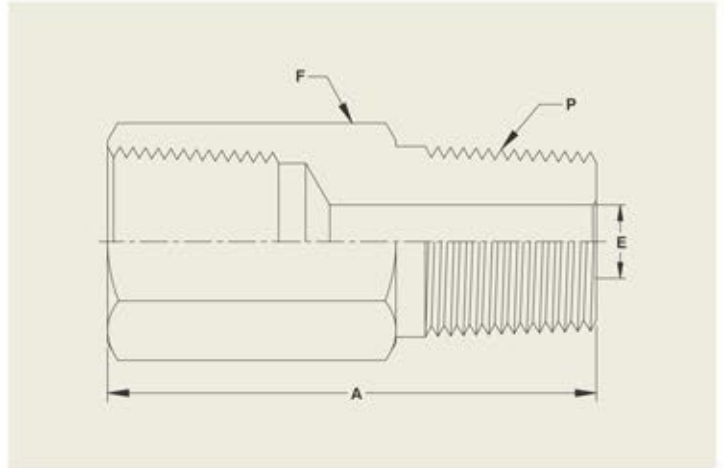
PART NO.	PIPE SIZE		DIMENSIONS		
	P	P1	A	E	F
RCO-1418	1/4	1/8	31.0	8.6	19
RCO-3814	3/8	1/4	35.1	11.4	22
RCO-1218	1/2	1/8	39.6	8.6	28
RCO-1214	1/2	1/4	44.5	11.4	28
RCO-1238	1/2	3/8	45.2	15.0	28
RCO-3414	3/4	1/4	42.9	11.4	36
RCO-3412	3/4	1/2	52.3	18.5	36
RCO-0112	1	1/2	55.6	18.5	42
RCO-0134	1	3/4	57.2	23.9	42



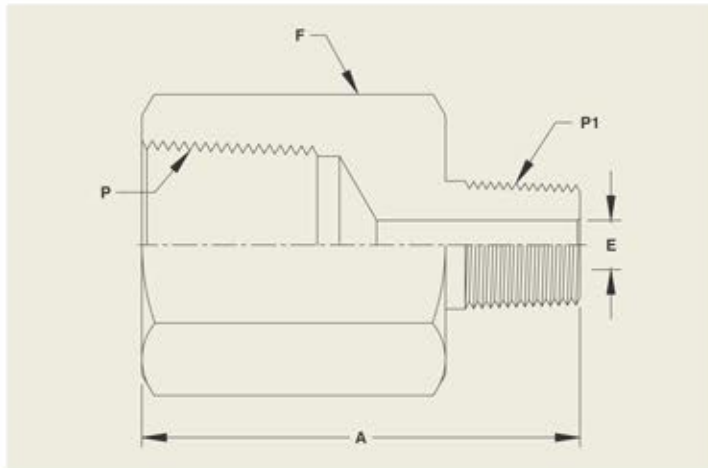
Adapter



PART NO.	PIPE SIZE		DIMENSIONS		
	P	A	E	F	
AD-18	1/8	27.9	4.8	14	
AD-14	1/4	35.6	7.1	19	
AD-38	3/8	38.4	9.6	22	
AD-12	1/2	49.3	11.9	28	
AD-34	3/4	51.3	15.7	36	
AD-01	1	57.9	22.1	42	



Reducing Adapter

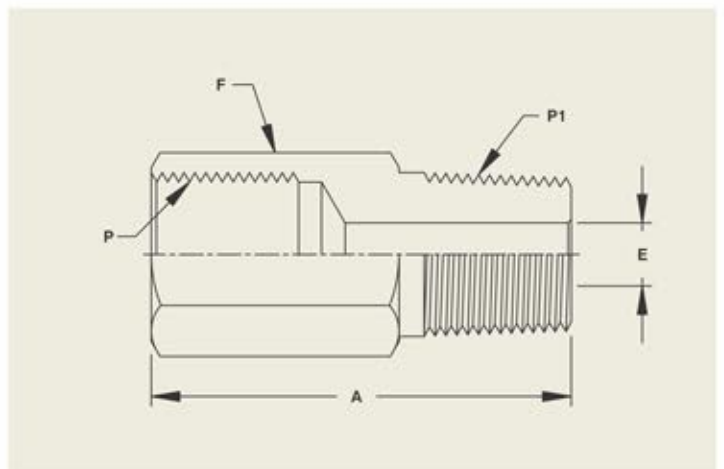


PART NO.	PIPE SIZE		DIMENSIONS		
	P	P1	A	E	F
RAD-1816	1/8	1/16	26.1	3	14
RAD-1418	1/4	1/8	31.0	4.8	19
RAD-3818	3/8	1/8	33.6	4.8	22
RAD-3814	3/8	1/4	38.0	7.1	22
RAD-1218	1/2	1/8	40.1	4.8	28
RAD-1214	1/2	1/4	44.7	7.1	28
RAD-1238	1/2	3/8	44.5	9.5	28
RAD-3414	3/4	1/4	46.2	7.1	36
RAD-3438	3/4	3/8	46.2	9.5	36
RAD-3412	3/4	1/2	51.3	11.9	36
RAD-0114	1	1/4	49.8	7.1	42
RAD-0112	1	1/2	54.9	11.9	42
RAD-0134	1	3/4	55.1	15.7	42

Gauge Adapter



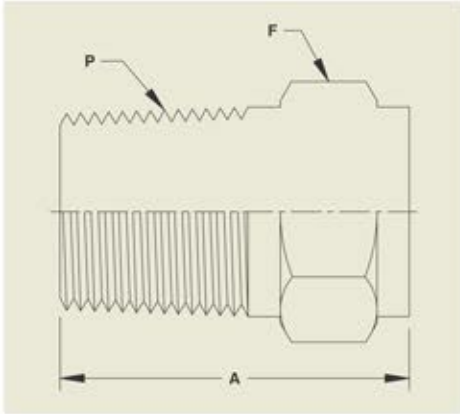
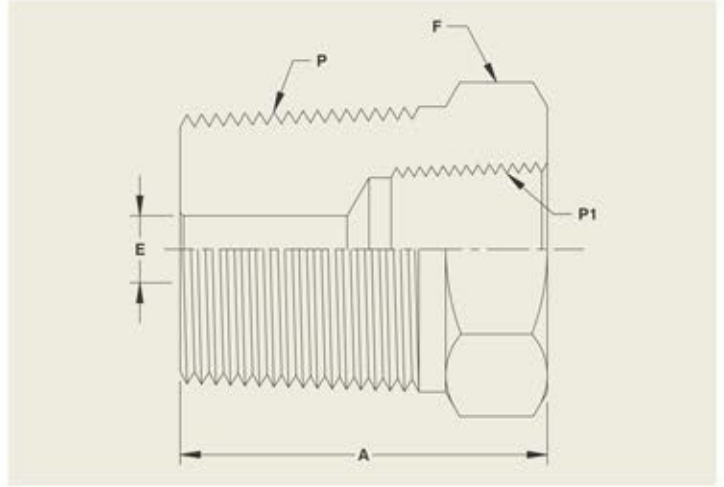
PART NO.	PIPE SIZE		DIMENSIONS		
	P	P1	A	E	F
GAD-14	1/4-19	1/4	27.7	3.0	19
GAD-38	3/8-19	3/8	32.0	4.8	22
GAD-12	1/2-14	1/2	41.9	7.1	28



Reducing Bushing



PART NO.	PIPE SIZE		DIMENSIONS		
	P	P1	A	E	F
RB-1816	1/8	1/16	26.2	4.8	12
RB-1418	1/4	1/8	26.9	7.1	14
RB-3818	3/8	1/8	21.8	8.6	19
RB-3814	3/8	1/4	30.2	9.5	19
RB-1218	1/2	1/8	27.4	8.6	22
RB-1214	1/2	1/4	27.4	11.4	22
RB-1238	1/2	3/8	35.8	11.9	22
RB-3414	3/4	1/4	27.4	11.4	28
RB-3438	3/4	3/8	27.4	15.0	28
RB-3412	3/4	1/2	41.4	15.7	28
RB-0114	1	1/4	34.8	11.4	36
RB-0138	1	3/8	34.8	15.0	36
RB-0112	1	1/2	34.8	17.45	36
RB-0134	1	3/4	47.0	22.4	36



PART NO.	PIPE SIZE	DIMENSIONS	
	P	A	F
PP-16	1/16	19.0	8
PP-18	1/8	19.0	12
PP-14	1/4	24.5	14
PP-38	3/8	25.0	19
PP-12	1/2	31.0	22
PP-34	3/4	31.0	28
PP-01	1	38.0	36

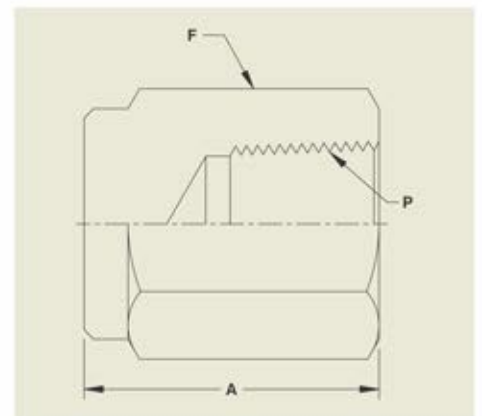
Pipe Plug



Pipe Cap



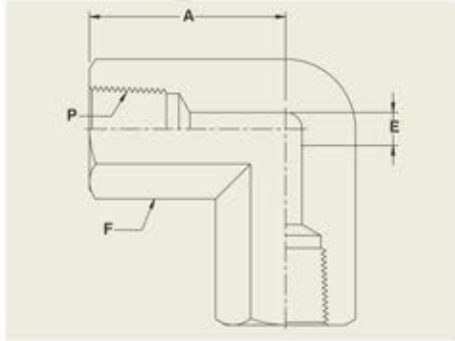
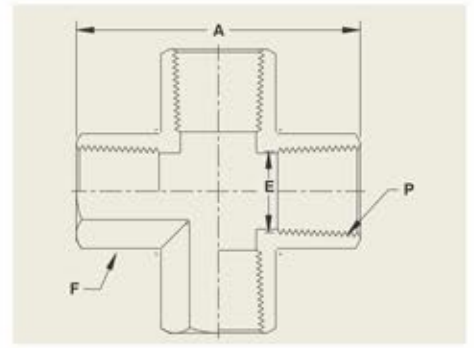
PART NO.	PIPE SIZE	DIMENSIONS	
	P	A	F
PC-18	1/8	19.1	14
PC-14	1/4	23.1	19
PC-38	3/8	26.2	22
PC-12	1/2	34.0	28
PC-34	3/4	36.6	33
PC-01	1	41.1	42



Cross



PART NO.	PIPE SIZE		DIMENSIONS		
	P	A	E	F	
CR-18	1/8	52.8	8.6	14	
CR-14	1/4	59.4	11.4	19	
CR-38	3/8	72.2	15.0	22	
CR-12	1/2	79.2	17.45	28	
CR-34	3/4	97.6	22.8	36	
CR-01	1	97.0	29.7	42	



PART NO.	PIPE SIZE		DIMENSIONS		
	P	A	E	F	
FE-18	1/8	26.4	8.6	14	
FE-14	1/4	30.0	11.4	19	
FE-38	3/8	36.0	15.0	22	
FE-12	1/2	39.6	17.45	28	
FE-34	3/4	48.8	22.8	36	
FE-01	1	48.5	29.7	42	

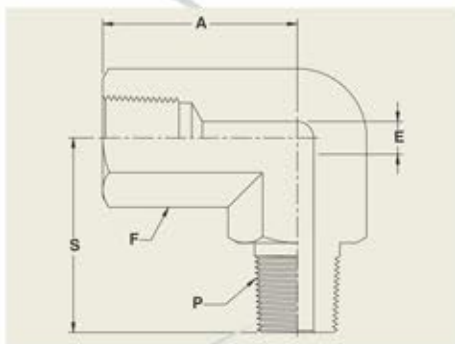
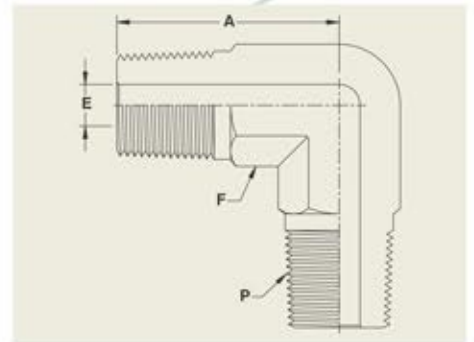
Female Elbow



Male Elbow



PART NO.	PIPE SIZE		DIMENSIONS		
	P	A	E	F	
ME-18	1/8	22.4	4.8	12	
ME-14	1/4	26.6	7.1	14	
ME-38	3/8	29.7	9.6	19	
ME-12	1/2	36.8	11.9	22	



PART NO.	PIPE SIZE		DIMENSIONS			
	P	A	E	F	S	
SE-16	1/16	21.8	3.1	7/16	22.3	
SE-18	1/8	26.4	4.8	14	22	
SE-14	1/4	29.7	7.1	19	29.7	
SE-38	3/8	36.0	9.6	22	32	
SE-12	1/2	39.6	11.9	28	39.6	
SE-34	3/4	48.8	15.8	35	42.4	
SE-01	1	48.5	22.4	42	49.2	

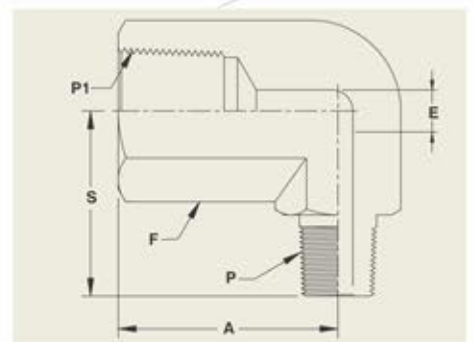
Street Elbow



Reducing Street Elbow



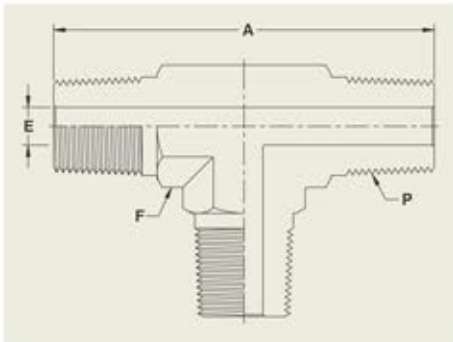
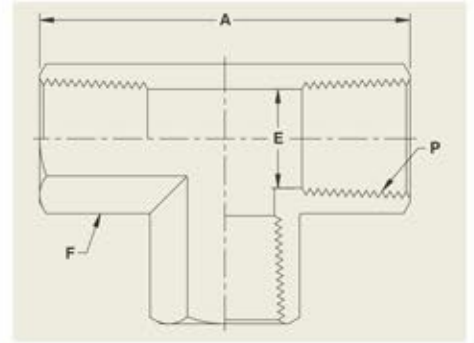
PART NO.	PIPE SIZE		DIMENSIONS			
	P	P1	A	E	F	S
RSE-1418	1/4	1/8	29.7	4.8	14	25.4
RSE-3814	3/8	1/4	36.0	7.1	19	32.0
RSE-1214	1/2	1/4	39.6	7.1	22	35.0
RSE-1238	1/2	3/8	39.6	9.6	22	35.0
RSE-3412	3/4	1/2	40.3	11.9	27	42.4
RSE-0112	1	1/2	48.5	11.9	36	49.2



Female Tee

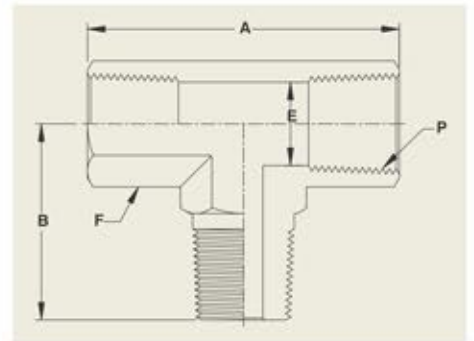


PART NO.	PIPE SIZE	DIMENSIONS		
	P	A	E	F
FT-18	1/8	40.5	8.6	15
FT-14	1/4	48.5	11.4	20
FT-38	3/8	53.0	13.8	24
FT-12	1/2	59.5	17.45	28



PART NO.	PIPE SIZE	DIMENSIONS		
	P	A	E	F
MT-18	1/8	40.5	4.8	12
MT-14	1/4	48.5	7.1	14
MT-38	3/8	59.5	9.6	19
MT-12	1/2	66.0	11.6	22

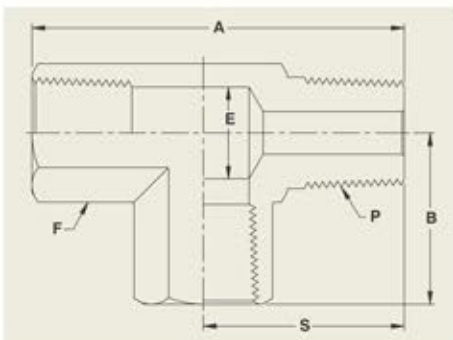
Male Tee



Branch Tee



PART NO.	PIPE SIZE	DIMENSIONS			
	P	A	B	E	F
ST-18	1/8	40.5	19.8	4.8	14
ST-14	1/4	44.5	27.5	7.1	19
ST-38	3/8	52.0	31.0	9.6	22
ST-12	1/2	62.5	37.4	11.6	28



PART NO.	PIPE SIZE	DIMENSIONS				
	P	A	B	E	F	S
ST-18	1/8	39.6	16.8	4.8	14	22.0
ST-14	1/4	55.4	22.4	7.1	19	29.7
ST-38	3/8	62.0	25.9	9.6	22	32.0
ST-12	1/2	74.7	31.2	11.6	28	39.6

Street Tee

