

# Needle Valves

## ANV 1

These needle valves are an ideal option for isolating or throttling applications. The self centering, non rotating stem ensures perfect seating. The rigid design gives repetitive bubble tight shut off, easy maintenance & long trouble free life. maintenance & long trouble free life.

### Standard Specifications :

End connection : NPT / BSPP / BSPT

Maximum working pressure : 413 bar / 6000 PSI at 100° C

(see pressure temperature chart on Page No. 4 for higher temperature applications)

Material : 316 SS / 316L SS / 304 SS / Carbon steel

MOC in accordance with NACE MR0175 is available on request.

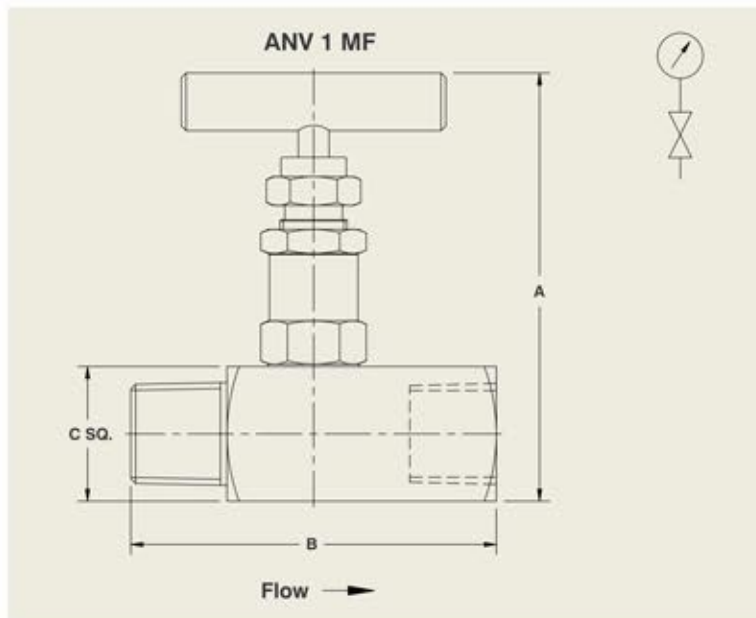
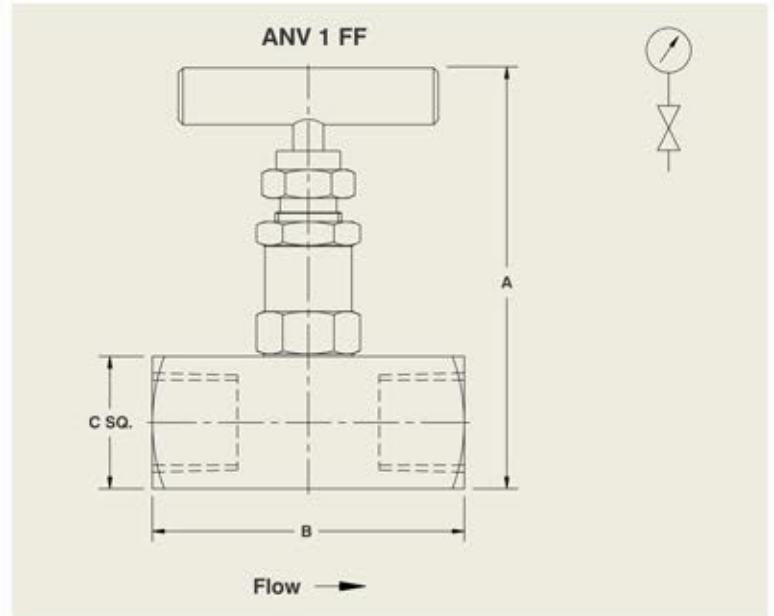
Monel, Inconel, Hastelloy, Duplex steel are also available on request.

Gland packing : PTFE / Graphite

### (ANV 1 FF)



| SIZE | A   | B  | CSQ | WEIGHT (kg) |
|------|-----|----|-----|-------------|
| 1/4" | 93  | 55 | 25  | 0.36        |
| 3/8" | 93  | 55 | 25  | 0.37        |
| 1/2" | 95  | 66 | 28  | 0.46        |
| 3/4" | 109 | 70 | 38  | 0.8         |
| 1"   | 117 | 80 | 45  | 1.3         |

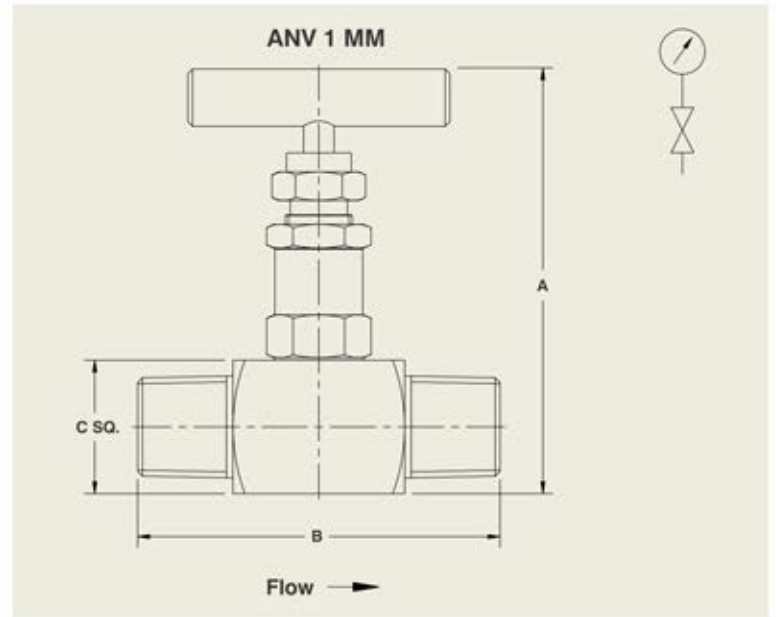


### (ANV 1 MF)

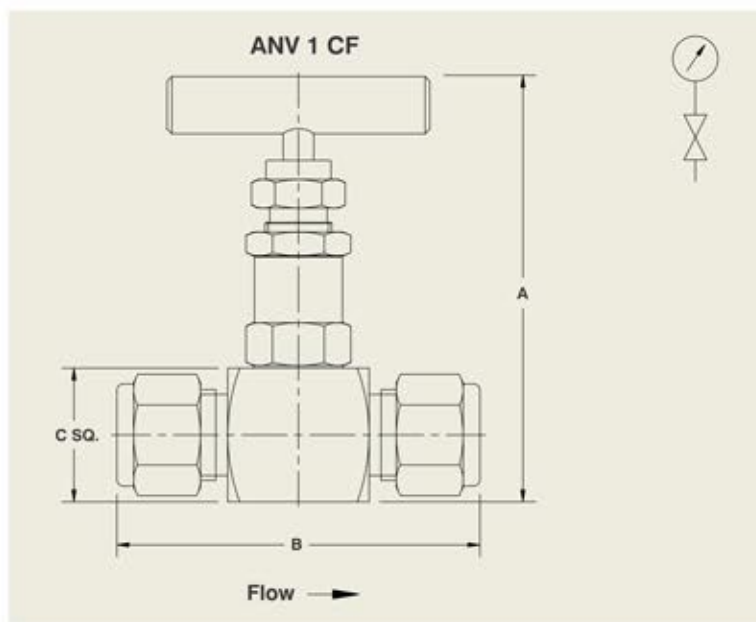


| SIZE | A   | B  | CSQ | WEIGHT (kg) |
|------|-----|----|-----|-------------|
| 1/4" | 93  | 65 | 25  | 0.45        |
| 3/8" | 93  | 65 | 25  | 0.45        |
| 1/2" | 95  | 76 | 28  | 0.56        |
| 3/4" | 109 | 80 | 38  | 0.9         |
| 1"   | 117 | 95 | 45  | 1.4         |

( ANV 1 MM )



| SIZE | A   | B  | CSQ | WEIGHT (kg) |
|------|-----|----|-----|-------------|
| 1/4" | 93  | 65 | 25  | 0.4         |
| 3/8" | 93  | 65 | 25  | 0.4         |
| 1/2" | 95  | 76 | 28  | 0.5         |
| 3/4" | 109 | 80 | 38  | 0.8         |
| 1"   | 117 | 95 | 45  | 1.3         |



( ANV 1 CF )



| SIZE | A  | B  | CSQ | WEIGHT (kg) |
|------|----|----|-----|-------------|
| 1/4" | 93 | 70 | 25  | 0.3         |
| 3/8" | 93 | 72 | 25  | 0.32        |
| 1/2" | 95 | 76 | 28  | 0.4         |
| 6mm  | 93 | 70 | 25  | 0.3         |
| 10mm | 93 | 72 | 25  | 0.4         |
| 12mm | 95 | 76 | 28  | 0.4         |

( ANV 2 FF )



| SIZE | A   | B  | CSQ | WEIGHT (kg) |
|------|-----|----|-----|-------------|
| 1/4" | 90  | 55 | 25  | 0.4         |
| 3/8" | 90  | 55 | 25  | 0.4         |
| 1/2" | 93  | 66 | 28  | 0.5         |
| 3/4" | 100 | 70 | 38  | 0.8         |
| 1"   | 110 | 80 | 45  | 1.4         |

**ANV 2**

These valves provide economical & reliable option for isolation & throttling applications. The bonnet assembly has a compact design with one piece rotating stem which is V tipped for accurate flow control.

**Standard Specifications :**

End connection : NPT / BSPP / BSPT

Maximum working pressure : 413 bar / 6000 PSI at 100° C

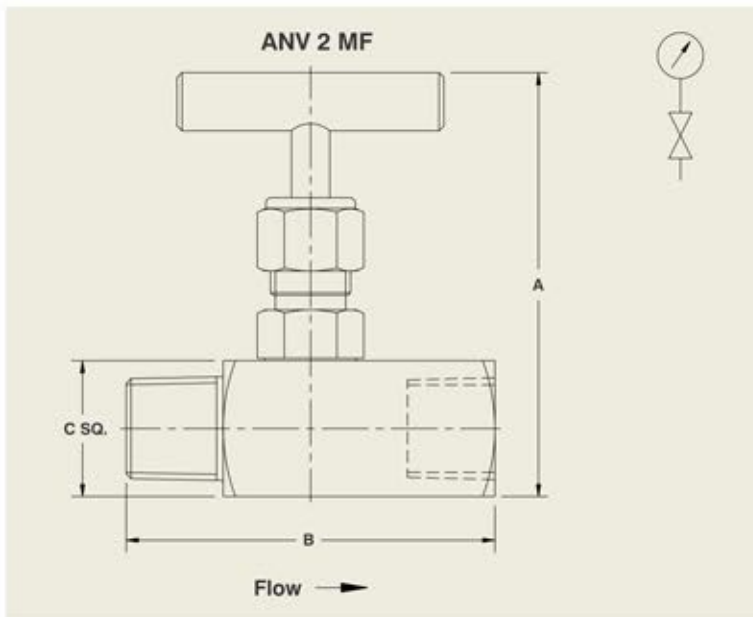
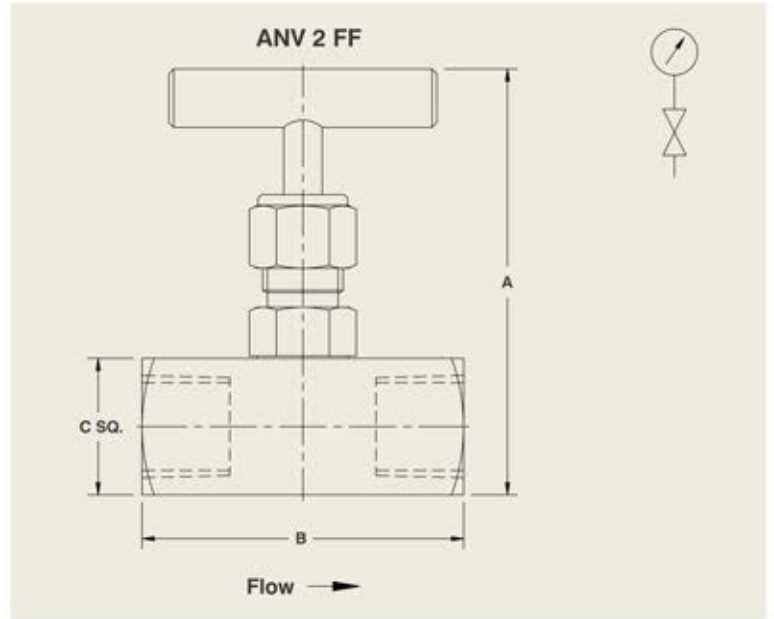
(see pressure temperature chart on Page No. 4 for higher temperature applications)

Material : 316 SS / 316L SS / 304 SS / Carbon steel

MOC in accordance with NACE MR0175 is available on request

Monel, Inconel, Hastelloy, Duplex steel are also available on request.

Gland packing : PTFE / Graphite

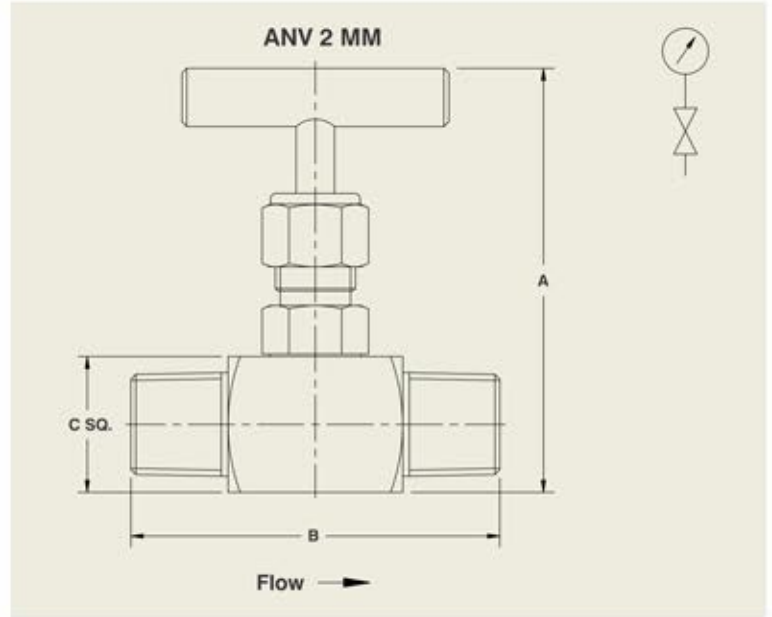


( ANV 2 MF )



| SIZE | A   | B  | CSQ | WEIGHT (kg) |
|------|-----|----|-----|-------------|
| 1/4" | 90  | 65 | 25  | 0.45        |
| 3/8" | 90  | 65 | 25  | 0.45        |
| 1/2" | 93  | 76 | 28  | 0.56        |
| 3/4" | 100 | 80 | 38  | 0.9         |
| 1"   | 110 | 95 | 45  | 1.5         |

## ( ANV 2 MM )



| SIZE | A   | B  | CSQ | WEIGHT (kg) |
|------|-----|----|-----|-------------|
| 1/4" | 90  | 65 | 25  | 0.45        |
| 3/8" | 90  | 65 | 25  | 0.45        |
| 1/2" | 93  | 76 | 28  | 0.56        |
| 3/4" | 100 | 80 | 38  | 0.9         |
| 1"   | 110 | 95 | 45  | 1.4         |

## ANV 3

These valves provide angular end connections of 90 degree for specific application. The other design features for this applications are similar to type ANV 1

### Standard Specifications :

End connection : NPT / BSPP / BSPT

Maximum working pressure : 413 bar / 6000 PSI at 100°C

(see pressure temperature chart on Page No. 4 for higher temperature applications)

Material : 316 SS / 316L SS / 304 SS / Carbon steel

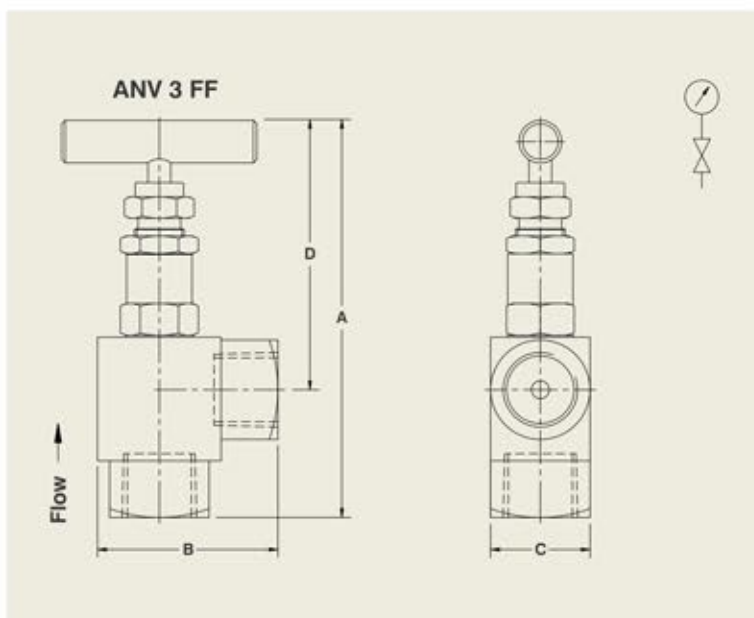
MOC in accordance with NACE MR0175 is available on request.

Monel, Inconel, Hastelloy, Duplex steel are also available on request.

Gland packing : PTFE / Graphite

Valves for 10000 PSI working pressure are also available

## ( ANV 3 FF )



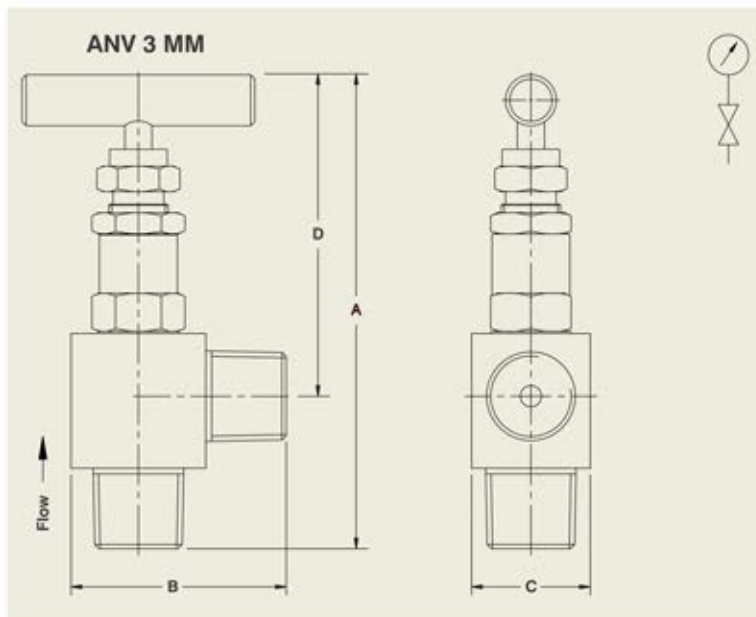
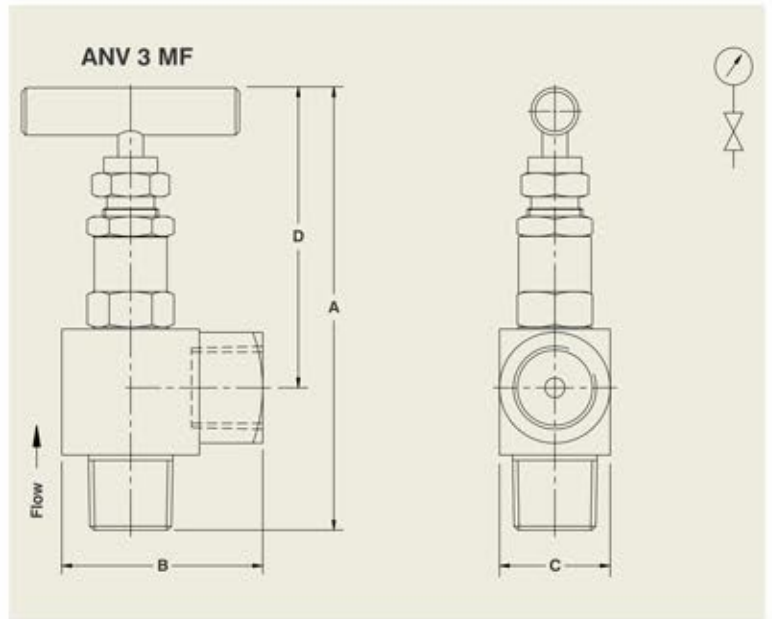
| SIZE | A   | B  | C  | D  | WEIGHT (kg) |
|------|-----|----|----|----|-------------|
| 1/4" | 101 | 38 | 25 | 76 | 0.45        |
| 3/8" | 101 | 38 | 25 | 76 | 0.45        |
| 1/2" | 115 | 50 | 28 | 76 | 0.575       |



( ANV 3 MF )



| SIZE | A   | B  | C  | D  | WEIGHT (kg) |
|------|-----|----|----|----|-------------|
| 1/4" | 101 | 38 | 25 | 76 | 0.45        |
| 3/8" | 101 | 38 | 25 | 76 | 0.45        |
| 1/2" | 115 | 50 | 28 | 76 | 0.575       |



( ANV 3 MM )

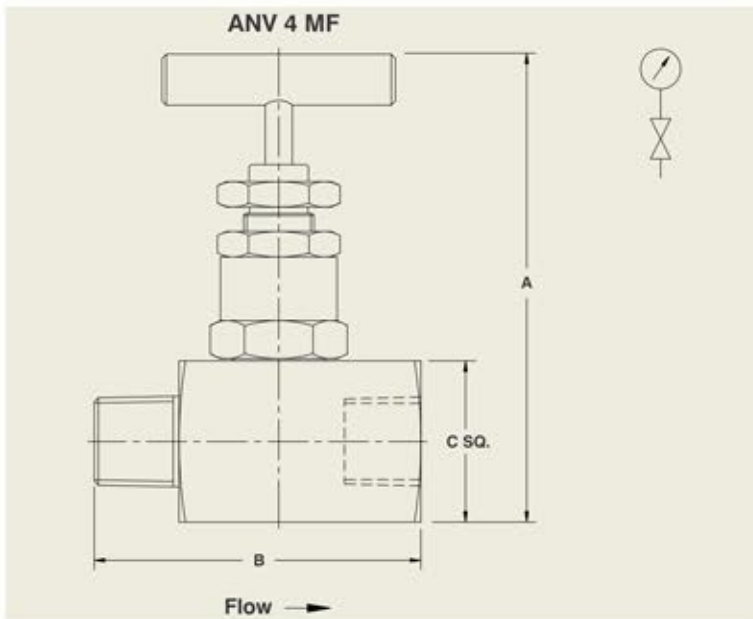


| SIZE | A   | B  | C  | D  | WEIGHT (kg) |
|------|-----|----|----|----|-------------|
| 1/4" | 101 | 38 | 25 | 76 | 0.45        |
| 3/8" | 101 | 38 | 25 | 76 | 0.45        |
| 1/2" | 115 | 50 | 28 | 76 | 0.575       |

( ANV 4 FF )



| SIZE | A   | B  | C(Sq) | WEIGHT (kg) |
|------|-----|----|-------|-------------|
| 1/4" | 93  | 55 | 28    | 0.44        |
| 3/8" | 93  | 55 | 28    | 0.44        |
| 1/2" | 111 | 67 | 38    | 0.85        |



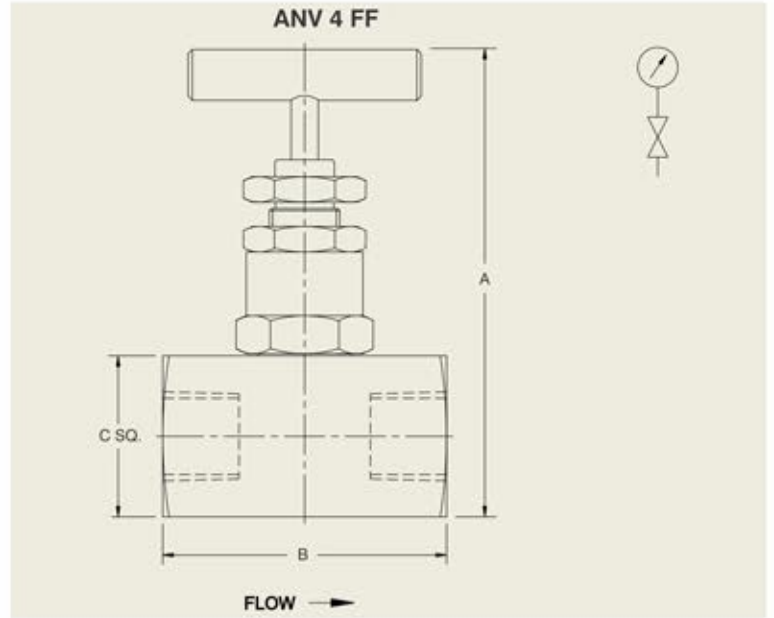
**ANV 4**

These valves are designed for high pressure applications.  
 These valves are also used in high pressure testing equipments.  
 Other design features are similar to ANV 1



**Standard Specifications :**

End connection : NPT / BSPP / BSPT  
 Maximum working pressure : 690 bar / 10,000 PSI at 100° C  
 (see pressure temperature chart on Page No. 4 for higher temperature applications)  
 Material : 316 SS / 316L SS / 304 SS / Carbon steel  
 MOC in accordance with NACE MR0175 is available on request  
 Monel, Inconel, Hastelloy, Duplex steel are also available on request.  
 Gland packing : PTFE / Graphite



( ANV 4 MF )



| SIZE | A   | B  | C(Sq) | WEIGHT (kg) |
|------|-----|----|-------|-------------|
| 1/4" | 93  | 65 | 28    | 0.45        |
| 3/8" | 93  | 65 | 28    | 0.45        |
| 1/2" | 111 | 76 | 38    | 0.88        |